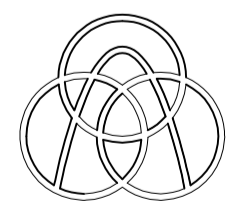
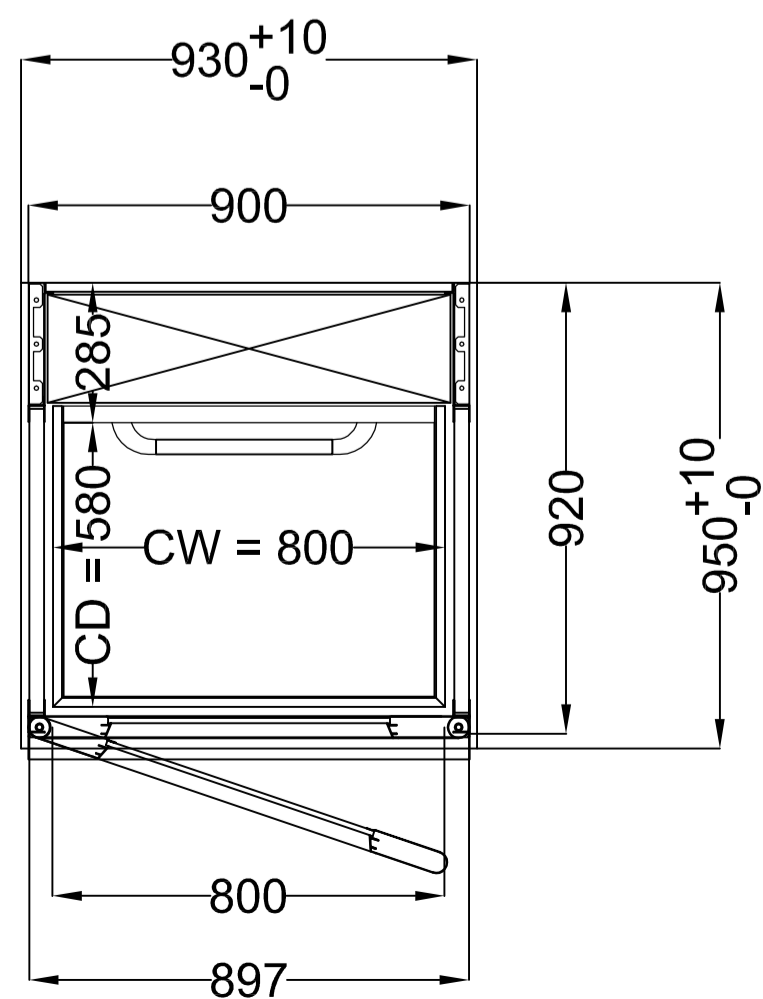


Area P	
Travel (m)	Load (kN)
2,7	6,5
Shaft Load (kN)	
Htot (m)	Load (kN)
5,18	3,4
Reaction forces (N)	
Fx	550_700_950



thyssenkrupp

Information listed in this drawing is property of thyssenkrupp Home Solutions srl. Any partial or complete diffusion or copy without the written permission of thyssenkrupp encasa srl is prohibited.

MEASURES IN MILLIMETERS.

H100 Compact_2Stops